

Questel.Orbit Search Example

In this example we are going to look at the key activities of Adidas. We have incorporated both the name "Adidas" and the Derwent Patent Assignee Code "ADID" into our search to ensure maximum retrieval (the code will additionally retrieve subsidiaries which do not have the name Adidas). We will be looking at Patent Assignee Codes in detail in a future Search Tip.

```
?adidas/pa or adid/cc
```

```
** SS 1: Results 149
```

Here we have displayed a few records in STDR format which gives the bibliographic details of the patents.

```
?li ss 1 stdr 1-6
```

```
1/149 DWPI - (C) Derwent- image
AN - 2000-559556 [52]
XP - N2000-414124
TI - Shoe, particularly sports shoe includes a base element extending from
    the rear foot part of the shoe into the fore foot part to control
    rotatability of the fore foot part about a longitudinal axis with
    respect to the rear foot part
DC - P22
PA - (ADID ) ADIDAS INT BV
IN - GEBHARD JE; KAELIN FXK; KRAEUTER CD; LUTHI S
PN - EP1025770      A2 20000809 DW2000-52 A43B-013/12 Eng 18p *
    AP: 2000EP-0102119 20000204
    DSR: AL AT BE CH CY DE DK ES FI FR GB GR IE IT LI LT LU LV MC MK NL PT
    RO SE SI
    - DE19904744      A1 20000810 DW2000-52 A43B-005/00
    AP: 1999DE-1004744 19990205
    - JP2000225002  A 20000815 DW2000-54 A43B-013/14 9p
    AP: 2000JP-0029668 20000207
PR - 1999DE-1004744 19990205

2/149 DWPI - (C) Derwent- image
AN - 2000-506483 [46]
XP - N2000-374485
TI - Asymmetric running shoes with wedge-shaped midsoles to raise lateral
    side of one shoe and medial side of other shoe
DC - P22
PA - (ADID ) ADIDAS INT BV
IN - FUSCO C; LUTHI S
PN - DE10000472      A1 20000713 DW2000-46 A43B-005/00 7p *
    AP: 2000DE-1000472 20000107
PR - 1999US-0227027 19990107

3/149 DWPI - (C) Derwent- image
AN - 2000-484748 [43]
XP - N2000-360413
TI - Athletic shoe, includes spikes with distal portion having Z-shaped
    cross-sectional shape
DC - P22
PA - (ADID ) ADIDAS INT BV
IN - FUSCO C; LUTHI S; PROWSE DJ
PN - EP1025771      A2 20000809 DW2000-43 A43C-015/16 Eng 6p *
    AP: 2000EP-0100289 20000120
    DSR: AL AT BE CH CY DE DK ES FI FR GB GR IE IT LI LT LU LV MC MK NL PT
    RO SE SI
    - JP2000229004  A 20000822 DW2000-45 A43B-013/26 6p
```

AP: 2000JP-0029670 20000207
 PR - 1999US-0245178 19990205

4/149 DWPI - (C) Derwent- image
 AN - 2000-421633 [36]
 XP - N2000-314513
 TI - Athletic protective shin guard for protecting against impact injuries
 to lower limb has lateral pad disposed along lateral side of central
 pad and longer than medial pad
 DC - P21
 PA - (ADID) ADIDAS SALOMON AG
 IN - PARKER JS
 PN - US6065152 A 20000523 DW2000-36 A41D-013/00 8p *
 AP: 1996US-0635370 19960419; 1998US-0063972 19980421
 PR - 1996US-0635370 19960419; 1998US-0063972 19980421

5/149 DWPI - (C) Derwent- image
 AN - 1999-479327 [40]
 XP - N1999-356838
 TI - Correlated set of golf clubs
 DC - P36
 PA - (TAYL-) TAYLOR MADE GOLF CO INC
 - (ADID) ADIDAS-SALOMON USA INC
 IN - PETERS MR; RUGGE RL; WAHL B
 PN - WO9939782 A1 19990812 DW1999-40 A63B-053/04 Eng 38p *
 AP: 1999WO-US02496 19990204
 DSNW: GB JP
 - US6093112 A 20000725 DW2000-38 A63B-053/04
 AP: 1998US-0021024 19980209
 PR - 1998US-0021024 19980209

6/149 DWPI - (C) Derwent
 AN - 1999-328732 [28]
 XP - N1999-246631
 TI - Sports shoe having support to certain areas and good compression
 stability
 DC - P22
 PA - (ADID) ADIDAS INT BV
 IN - DIETRICH SJK; KNOCHE B
 PN - DE29903764 U1 19990602 DW1999-28 A43B-005/00 17p *
 AP: 1999DE-2003764 19990302
 - EP1033087 A1 20000906 DW2000-44 A43B-007/24 Eng
 AP: 2000EP-0103377 20000223
 DSR: AL AT BE CH CY DE DK ES FI FR GB GR IE IT LI LT LU LV MC MK NL PT
 RO SE SI
 - JP2000253904 A 20000919 DW2000-53 A43B-013/14 6p
 AP: 2000JP-0057383 20000302
 PR - 1999DE-2003764 19990302

We can now use the MEMSORT command to find out which Derwent Classifications have been assigned most frequently in this set of records. When using MEMSORT, if we wish to analyse the entire search set which in this case is 149 records, we just type in "set" (otherwise the default is the most recent 50 records).

?mems ss 1 set /dc

Total number of terms extracted: 205
 Number of terms now in MEM2 : 21

To Display the whole table of results in one continuous sequence, we add "nonstop" to our display command.

```
?li mems nonstop
```

```
Memory is of type MEMSORT (statistical analysis)
```

#	FREQ	TERM
1	118	P22
2	27	P36
3	18	A83
4	6	A86
5	6	P21
6	4	F07
7	3	Q23
8	2	A14
9	2	A23
10	2	A25
11	2	A32
12	2	A82
13	2	F08
14	2	P73
15	2	Q24
16	2	Q56
17	1	A17
18	1	P24
19	1	P32
20	1	Q63
21	1	X25

From this result we can see that Derwent Class P22 (Footwear) is at the top of the list – it is the Classification that appears most frequently in the Adidas records. This obviously confirms what we already knew about Adidas but, looking further down the list, we can see that right at the bottom there is an Adidas invention with Derwent Class X25 (Industrial Electric Equipment). We can take a look at the Derwent Enhanced Title, Abstract and Image to find out more about this invention.

The following command enables us to search for all the records in the DWPI which have an X25 Derwent Class. We then “AND” the result of this search with the result of “SS 1” and hence we arrive at the one invention of Adidas which has the X25 Derwent Class.

```
?*mems 21 /dc
```

```
** SS 2: Results 285.803
```

```
?1 and 2
```

```
** SS 3: Results 1
```

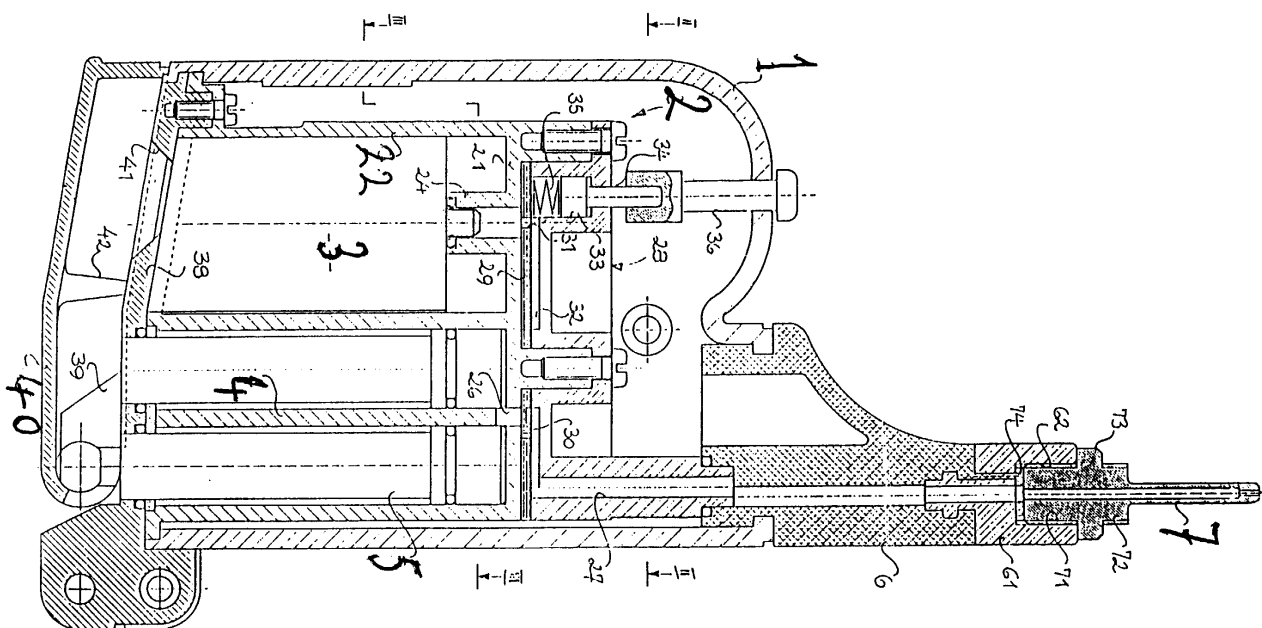
```
?li full img
```

```
1/1 DWPI - (C) Derwent- image
AN - 1994-184376 [23]
XP - N1994-145594
TI - Miniature hand air pump, e.g. for sports shoe - regulates air pressure
    in relatively small vol. using pressure sensor in housing
DC - P22 Q56 X25
PA - (ADID ) ADIDAS AG
IN - RDUCH J
NP - 1
NC - 1
PN - DE4239794 A1 19940601 DW1994-23 F04B-033/00 6p *
    AP: 1992DE-4239794 19921126
PR - 1992DE-4239794 19921126
IC - F04B-033/00 A43B-005/00 A43B-013/20 F04B-039/10
AB - DE4239794 A
    At least one delivery cylinder (4) is accommodated in the housing (1)
```

with a manually operated plunger (5). The housing also accommodates an electronic pressure sensor (3) coupled to an electronic display on the outside of the housing. The latter also carries a tubular valve (7) for establishing a connection to the inside of the air chamber via a rubber valve provided on the latter.

- The pressure sensor contains a pressure measuring element connected to an electronic circuit which couples the element to a LCD of a digital indicator. A button battery is used as the power supply. The pressure display is installed on the housing endface covered by a pivotable handle (40). The delivery cylinder and a retainer (22) for the sensor and display can be formed as a unit (2) received in the housing.
- ADVANTAGE - Accurate enough to reproduce air pressure in small vol. Small enough to be carried in sports gear without creating extra burden. (Dwg.1,5/6)

MC - EPI: X25-L03A
 UP - 1994-23



To summarise:

Analysing Derwent Classifications has enabled us to investigate the patenting activities of Adidas. This can be a great tool, especially for the purpose of competitor intelligence.

Derwent Classifications are, as we can see, very broad. For a more detailed look at a company's activities, you could follow the above method with IPCs or Derwent Manual Codes instead.

Remember that with this search we have looked at the whole database. For *your* search, it may be more appropriate to look only at recent records – or even to compare a company's activities in different time periods. It could be valuable to monitor this on a regular basis to see whether your competitors' activities are changing – for example, if they are diversifying into different technologies. This can be done very easily using an [SDI on Questel.Orbit](#).